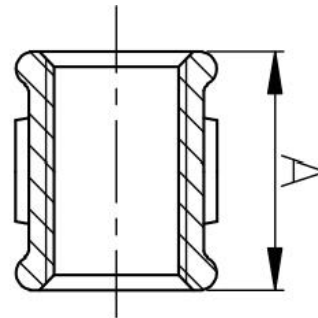


Malleable iron entire thread socket



- Certificate: FM Approved / UL Listed
- Size: 1/8" - 6" (DN 6 - DN 150)
- Pressure: class150
- Dimensions: DIN EN 10242
- Material: ASTM A-197, ASTM A47, DIN EN 1562
- Threaded: ISO 7-1
- Surface: Black / Electrical galvanized / Hot-dip galvanized



Available size

| | | | | | | | | |
|-----------|------|-------|-----|-------|-----|-----|-----|-------|
| Size | Inch | 1/8 | 1/4 | 3/8 | 1/2 | 3/4 | 1 | 1 1/4 |
| | mm | 6 | 8 | 10 | 15 | 20 | 25 | 32 |
| Dim. (mm) | A | 25 | 27 | 30 | 36 | 39 | 45 | 50 |
| Size | Inch | 1 1/2 | 2 | 2 1/2 | 3 | 4 | 5 | 6 |
| | mm | 40 | 50 | 65 | 80 | 100 | 125 | 150 |
| Dim. (mm) | A | 55 | 65 | 74 | 80 | 94 | 102 | 110 |