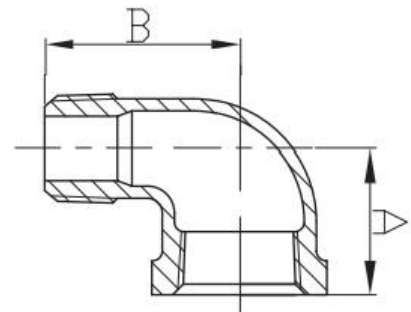


Malleable iron reducing street elbow



- Certificate: FM Approved / UL Listed
- Size: 3/4" - 1-1/2" (DN 20 - DN 40)
- Pressure: class150
- Dimensions: ANSI B16.3
- Material: Malleable iron ASTM A197
- Threaded: NPT ASME B1.20.1
- Surface: Black / Electrical galvanized / Hot-dip galvanized



Available size (class 150)

SIZE		A (MM)	B (MM)
3/4"X1/2"	DN20XDN15	30	40
1"X3/4"	DN25XDN20	35	46
1-1/4"X1"	DN32XDN25	40	56
1-1/2"X1-1/4"	DN40XDN32		