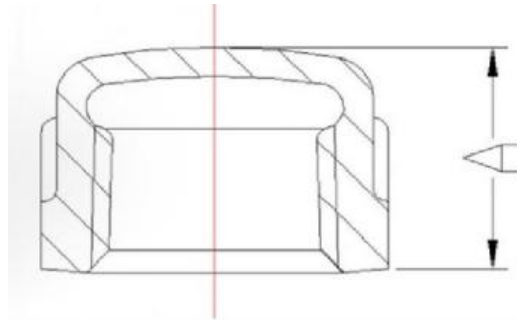


# Malleable iron round cap



- Certificate: FM Approved / UL Listed / BSI / LPCB / NSF 61
- Size: DN8 - DN150
- Pressure: 2.5 Mpa / PN25
- Dimensions: BS EN10242
- Material: Malleable iron BS EN1562
- Threaded: BSPP (ISO228) / BSPT (ISO7-1)
- Surface: Black / Electrical galvanized / Hot-dip galvanized



## Available size

SIZE		A (MM)	PCS/CTN.
1/4"	DN8	16	1200
3/8"	DN10	17	1200
1/2"	DN15	19	700
3/4"	DN20	22	500
1"	DN25	24	360
1 1/4"	DN32	27	220
1 1/2"	DN40	27.5	160
2"	DN50	32	100
2 1/2"	DN65	36	60
3"	DN80	39	38
4"	DN100	46	20
6"	DN150	59	/